

PA28-24-wP (Z)d Data Sheet

28 pin PLCC socket/24 pin DIP 0.3" or 0.6" plug

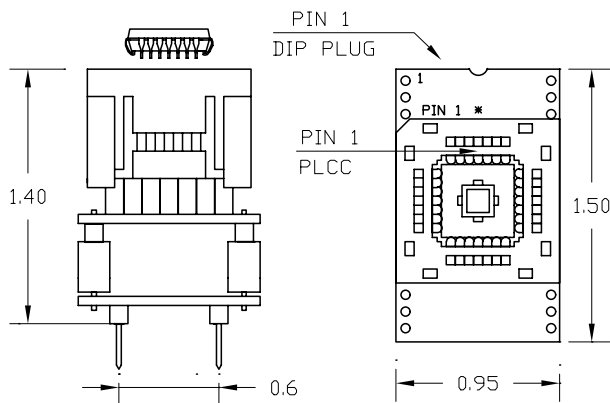
Introduction

This data sheet describes several adapters. They are all similar in that they have 28 pin PLCC test sockets and 24 pin DIP plugs. They differ in the dimensions of the DIP plug and the wiring from PLCC device to DIP plug.

The "w" in PA28-24-wP (Z)d above identifies the adapter's wiring. The "d" represents the dimensions of the DIP plug. The "Z" identifies a lidded ZIF socket. Without the "Z" it has an Auto-eject socket. The following chart identifies all the versions currently available.

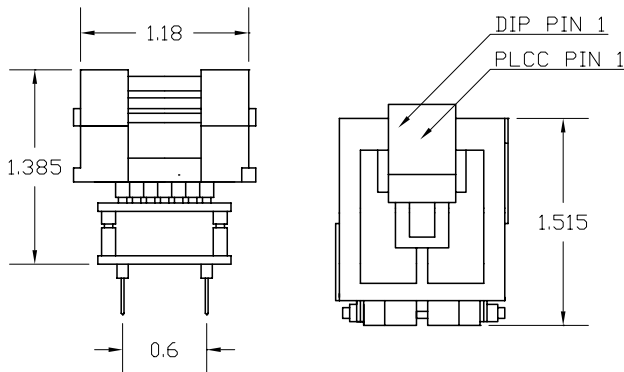
Adapter	Wiring	Plug	Adapter	Wiring	Plug
PA28-24-1P(Z)3	1	0.3"	PA28-24-1P(Z)6	1	0.6"
PA28-24-2P(Z)3	2	0.3"	PA28-24-2P(Z)6	2	0.6"
PA28-24-3P(Z)3	3	0.3"	PA28-24-3P(Z)6	3	0.6"
PA28-24-4P(Z)3	4	0.3"	PA28-24-4P(Z)6	4	0.6"
PA28-24-5P(Z)3	5	0.3"	PA28-24-5P(Z)6	5	0.6"
PA28-24-7P(Z)3	7	0.3"	PA28-24-7P(Z)6	7	0.6"

Adapter Dimensions



Push socket rim to open, Push device in to close socket

PA28-24-wP d



PA28-24-wP Z d

Adapter Construction

The adapter is made up of 3 sub-assemblies. They assemble via connectors making the adapter modular. This way the sub-assemblies can be replaced when they wear out. When disassembling the adapter, take care not to bend the pins. When reassembling the adapter note the pin 1 indicators to align the parts correctly.

PLCC Auto-Eject test socket:

Yamaichi Part #: IC 120-0284-508

LSC Part #: 28-508

PLCC Lidded ZIF socket:

Yamaichi Part #: IC 51-0284-399

LSC Part #: 28-399

28LIF, -Z

Accepts the test socket and connects to the bottom board.

28-24-w

Performs the wiring shown in the Adapter Wiring section

Adapter Wiring

Several different wiring patterns are described in this data sheet. Each wiring pattern is identified by a number. The first chart abbreviates the wiring description by listing the device pins that are skipped and shorted together. The second chart shows in detail how each device pin is connected to the adapter's plug.

Mapping	Skips(shorts)
1	5,8,11,19
2	1,8,15,22
3	5,10,21,22
4	4,11,18,25
5	1,10,15,21
7	1,11,15,19,(28-1),(14-15)

PLCC Device	PLUG pin for each mapping					
	'-1	'-2	'-3	'-4	'-5	'-7
1	1	-	1	1	-	24
2	2	1	2	2	1	1
3	3	2	3	3	2	2
4	4	3	4	-	3	3
5	-	4	-	4	4	4
6	5	5	5	5	5	5
7	6	6	6	6	6	6
8	-	-	7	7	7	7
9	7	7	8	8	8	8
10	8	8	-	9	-	9
11	-	9	9	-	9	-
12	9	10	10	10	10	10
13	10	11	11	11	11	11
14	11	12	12	12	12	12
15	12	-	13	13	-	12
16	13	13	14	14	13	13
17	14	14	15	15	14	14
18	15	15	16	-	15	15
19	-	16	17	16	16	-
20	16	17	18	17	17	16
21	17	18	-	18	-	17
22	18	-	-	19	18	18
23	19	19	19	20	19	19
24	20	20	20	21	20	20
25	21	21	21	-	21	21
26	22	22	22	22	22	22
27	23	23	23	23	23	23
28	24	24	24	24	24	24



Adapters-Plus Inc.

P.O. BOX 900

Tracy, Ca 95378

ph.209-839-0200

fax.209-839-0235

email: sales@adapt-plus.com

www.adapt-plus.com