

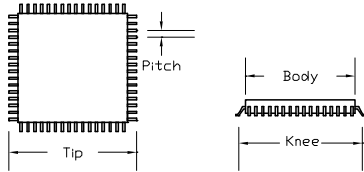
# PA48QD-806 Data Sheet

48 pin QFP socket/48 pin DIP 0.6" plug

## Supported Device/Footprints

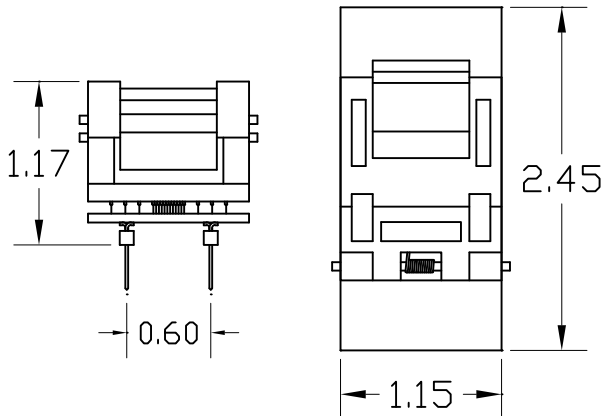
This is a generic package adapter. It takes a QFP and wires all pins to a DIP plug.

The QFP socket accepts packages with the dimension sets listed below:



| Socket   | Body       | Knee                   | Tip      | Pitch  |
|----------|------------|------------------------|----------|--------|
| 48QJ-806 | 7.0 mm typ | 6 mm typ<br>7.8 mm max | 9 mm typ | 0.5 mm |

## Adapter Dimensions



PA48QD-806

## Adapter Construction

The adapter is made up of 2 sub-assemblies. They assemble via connectors making the adapter modular. This way the sub-assemblies can be replaced when they wear out.

When disassembling the adapter take care not to bend the pins. When reassembling the adapter note the pin 1 indicators to align the parts correctly.

| Adapter    | Test Socket | Circuit Board |
|------------|-------------|---------------|
| PA48QD-806 | 48QJ-806    | 48QD-806      |

## Test Socket

| LSC Socket | Style      | Mfgr/Pn                |
|------------|------------|------------------------|
| 48QJ-806   | Lidded ZIF | Yamaichi IC51-0484-806 |

## Adapter Wiring

The adapter is wired 1-1. Pin 1 of the QFP device connects to pin 1 of the DIP plug, pin 2 to pin 2, and so on around the adapter.



**Adapters-Plus Inc.**

P.O. BOX 900  
Tracy, Ca 95378  
ph.209-839-0200  
fax.209-839-0235  
email: sales@adapt-plus.com

www.adapt-plus.com

PA48QD-806 Data Sheet  
Doc: 48QD-806.DOC  
Rev 01/03/03  
Page 1 of 1