

# PA29F-S4-SO1-OT Data Sheet

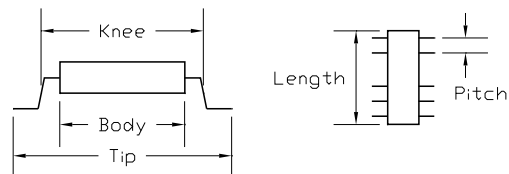
44 pin SO socket/32 pin DIP 0.6" plug

## Supported Device/Footprints

This adapter converts the AMD 29F00 in its 44 pin SOP package to a 32 pin DIP programming footprint for the Dataman S4 programmer.

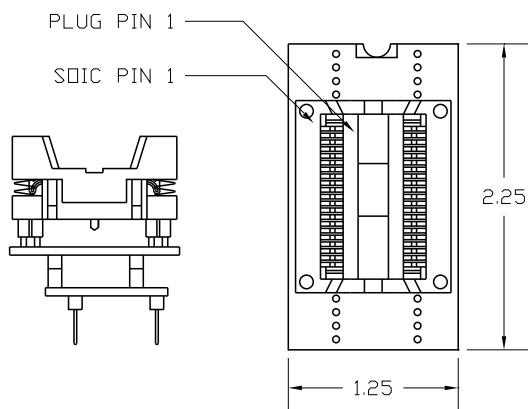
Manufacturer	Socket Device	Package	Footprint Device	Plug
AMD	29F200	44 SOP	29F200	32 DIP
"	29F400	"	29F400	"
"	29F800	"	29F800	"

The adapter accepts packages with the dimensions listed below:



Body	Knee	Tip	Pitch	Length
13.3 mm typ	14.4 mm	16.0 mm	1.27 mm	28.2 mm typ

## Adapter Dimensions



## Known Programmer Compatibility

The following compatibility information has been reported to Logical Systems.

Programmer	Status
Dataman: S4	Works
DeviceRama: ChipBurner 8; CBU-40; CBU-48; EasyWriter Portable	Not Compatible
EE Tools: AllMax, MegaMax; TopMax	Not Compatible

The 29F00 is a superset of the 29F0x0. The 29F00 can be accessed in byte mode as the 29F0x0 is. This similarity allows a programmer that supports the 29F0x0 to offer support for the 29F00.

The Sector Operations are different for 29F00 and 29F0x0 devices. They also vary among device manufacturers. If the device programmer incorporates Sector Operations in its erase or programming operations, there will be compatibility issues.

Therefore, the programmer must offer a 29F00 menu selection or must otherwise be known to support the 29F0x0. Compatibility is NOT guaranteed by this adapter alone.

## Adapter Construction

The adapter is made up of 3 sub-assemblies. They assemble via connectors making the adapter modular. This way the sub-assemblies can be replaced easily.

The following chart lists the adapter described by this datasheet and its subassembly.

Adapter	Socket	Top Board	Bottom Board
PA29F-S4-SO1-OT	44SD-03	44SO-03	29F-S4

## Test Sockets

L S C #	Style	Mfgr/Pn
44SD-03	Open Top	Enplas OTS-44-1.27-03

When disassembling the adapter take care not to bend the pins. When reassembling the adapter note the pin 1 indicators to align the parts correctly.

This adapter has also been offered as PA29F-SO1-OT.

The two adapters are the same and the other part number is being discontinued.

## Adapter Wiring

29F00 signal	SO Pin	DIP Pin	29F0x0 signal	29F0x0 signal	DIP Pin	SO Pin	29F00 signal
NC	1	NC	-	VCC	32	44	RESET*
RY/BY*	2	NC	-	WE*	31	43	WE*
A17	3	1	A18	A9	26	42	A8
A7	4	27	A8	A10	23	41	A9
A6	5	5	A7	A11	25	40	A10
A5	6	6	A6	A12	4	39	A11
A4	7	7	A5	A13	28	38	A12
A3	8	8	A4	A14	29	37	A13
A2	9	9	A3	A15	3	36	A14
A1	10	10	A2	A16	2	35	A15
A0	11	11	A1	A17	30	34	A16
CE*	12	22	CE*	GND	16	33	BYTE*
VSS	13	16	VSS	GND	16	32	VSS
OE*	14	24	OE*	A0	12	31	D15/A-1
D0	15	13	D0	D7	21	30	D7
D8	16	NC	-	-	NC	29	D14
D1	17	14	D1	D6	20	28	D6
D9	18	NC	-	-	NC	27	D13
D2	19	15	D2	D5	19	26	D5
D10	20	NC	-	-	NC	25	D12
D3	21	17	D3	D4	18	24	D4
D11	22	NC	-	VCC	32	23	VCC



**Adapters-Plus Inc.**

P.O. Box 900  
Tracy, Ca 95378  
ph.209-839-0200  
fax.209-839-0235  
email: sales@adapt-plus.com

PA29F-S4-SO1-OT Data Sheet

Doc: 29FS4-SO.DOC

Rev 04/20/00

Page 1 of 1