

PA28SS-BP55 Data Sheet

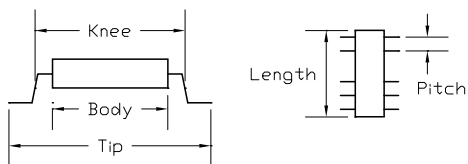
28 Pin SSOP socket/28 Pin DIP 0.6" plug

Supported Device/Footprints

Using this adapter, the Microchip PIC16C55, '57 in SSOP package can be programmed on the BP Microsystems CP1128 programmer.

Mfgr	Device	Package	Device	Footprint Package
Microchip	PIC16C55	SSOP	PIC16C55	CP1128
"	PIC16C57	"	PIC16C57	"

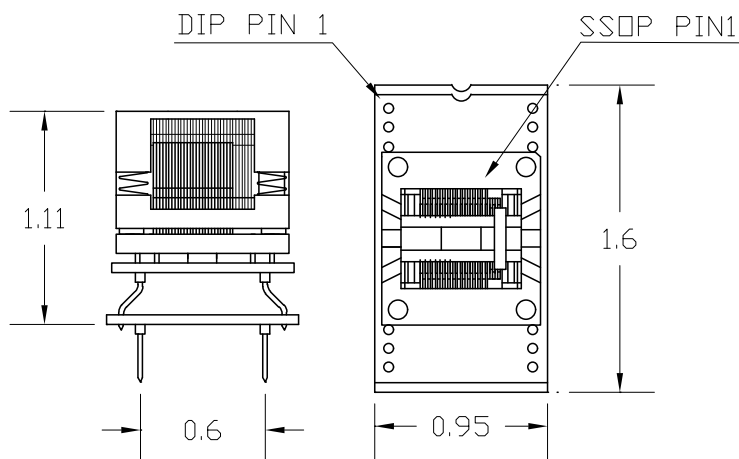
The SSOP socket accepts packages with tht dimensions listed below:



Body mm (inches)			Knee mm (inches)		
min.	typ.	max.	min.	typ.	max.
n/a	5.3 (0.209)	5.7 (0.224)	n/a	6.4 (0.252)	6.5 (0.256)

Tip mm (inches)			Body Length	Lead Pitch
min.	typ.	max.	10.64 max. (0.419)	0.65 (0.0256)
n/a	7.8 (0.307)	8.0 (0.315)		

Adapter Dimensions



Adapter Construction

The adapter is made up of 3 sub-assemblies. They assemble via connectors making the adapter modular. This way the sub-assemblies can be replaced when they wear out.

When disassembling the adapter take care not to bend the pins. When reassembling the adapter note the pin 1 indicators to align the parts correctly.

Test Socket

SSOP Open top test socket:

Enplas Part #: OTS-28(34)-0.65-01 LSC #: 28(34)SG-01

28SO.601

Accepts the test socket and connects to the bottom board.

28-28-BP55

Performs the wiring shown in the Adapter Wiring section

Adapter Wiring

The following chart shows the connections from the SSOP device to the adapter's DIP plug.

DEVICE	SIGNAL	PLUG
1	VSS	14
2	RTCC	1
3	VDD	28
4	VDD	28*
5	RA0	6
6	RA1	7
7	RA2	8
8	RA3	9
9	RB0	10
10	RB1	11
11	RB2	12
12	RB3	13
13	RB4	4
14	VSS	14*
15	RB5	15
16	RB6	16
17	RB7	17
18	RC0	18
19	RC1	19
20	RC2	20
21	RC3	21
22	RC4	22
23	RC5	23
24	RC6	24
25	RC7	25
26	OSC2	26
27	OSC1	27
28	MCLR	2
-	NC	3
-	NC	5

*Shorted: SSOP pins 1-14(VSS), 3-4(VDD)



Adapters-Plus Inc.

P.O. Box 900
Tracy, Ca 95378
ph.209-839-0200
fax.209-839-0235
email: sales@adapt-plus.com

www.adapt-plus.com