

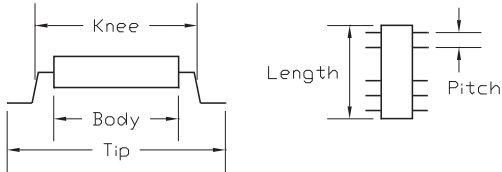
PA40TS-32-AS002 Data Sheet

40 pin TSOP socket/32 pin DIP 0.6" plug

Supported Device/Footprints

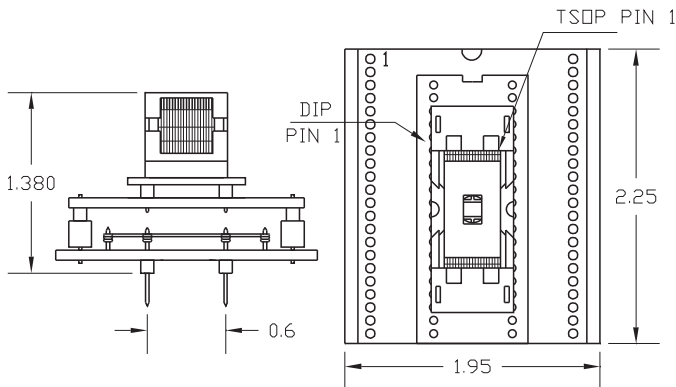
The PA40TS32-AS002 adapter converts the pinout of the Alliance Semiconductor AS29F002 in a 40 pin TSOP device to the 32 pin DIP AMD 29F002 footprint. It accepts the TSOP device and plugs into a DIP socket.

The TSOP socket accepts packages with the dimensions listed below:



Body	Knee	Tip	Pitch	Length
18.4 mm typ	19.0 mm	20.0 mm	0.50 mm	10.0 mm typ

Adapter Dimensions



Adapter Construction

The adapter is made up of 3 sub-assemblies. They assemble via connectors making the adapter modular. This way the sub-assemblies can be replaced when they wear out.

When disassembling the adapter take care not to bend the pins. When reassembling the adapter note the pin 1 indicators to align the parts correctly.

Test Socket & Adapter Shim

TSOP Auto-eject Test Socket:

Wells Part #: 648-0402211-A01

LSC Part #: 40TSJ-W20

40TS20-160

Accepts the socket and connects to the bottom board.

40-32-AS002

Provides the DIP plug.

Adapter Wiring

The following chart shows the connections from the TSOP device to the adapter's DIP plug.

DEVICE	SIGNAL	PLUG	PLUG	SIGNAL	DEVICE
1	A16	2	30	A17	40
2	A15	3	16	VSS	39
3	A14	29	-	NC	38
4	A13	28	-	NC	37
5	A12	4	23	A10	36
6	A11	25	21	DQ7	35
7	A9	26	20	DQ6	34
8	A8	27	19	DQ5	33
9	/WE	31	18	DQ4	32
10	/RESET	1	32	VCC	31
11	NC	-	32	VCC	30
12	NC	-	-	NC	29
13	NC	-	17	DQ3	28
14	A7	5	15	DQ2	27
15	A6	6	14	DQ1	26
16	A5	7	13	DQ0	25
17	A4	8	24	/OE	24
18	A3	9	16	VSS	23
19	A2	10	22	/CE	22
20	A1	11	12	A0	21



Adapters-Plus Inc.

P.O. Box 900

Tracy, Ca 95378

ph.209-839-0200

fax.209-839-0235

email: sales@adapt-plus.com

www.adapt-plus.com