

PA32-32(-R)-DP(-PP) Data Sheet

32 pin DIP socket/32 pin PLCC plug

Supported Device/Footprints

These adapters accept 32 pin DIP devices and plugs into 32 pin PLCC production sockets. They allow DIP devices, or emulators with DIP plugs, to be used during development of PLCC based products.

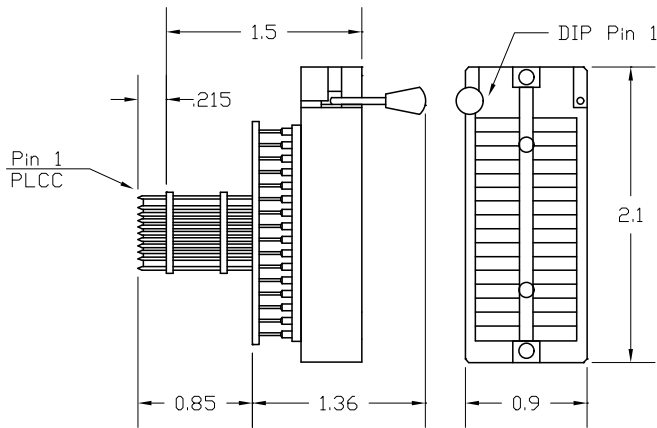
The following DIP device footprints are converted to the indicated footprint.

Generic: 27C010/020/040/080, 29F010/020/040
Footprint: Same device 32PLCC

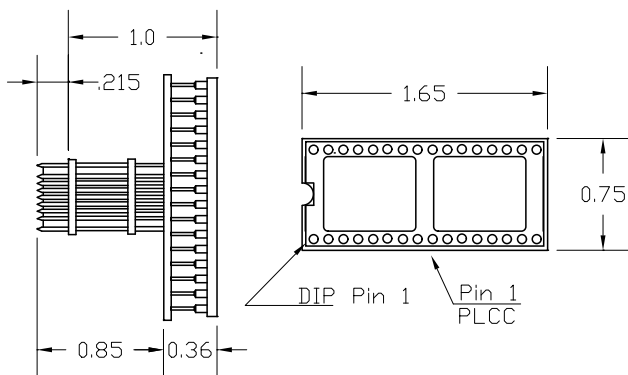
Other devices that require the same wiring would also be supported.

The "R" version of these adapter are Rotated from the Standard version. This is offered to allow side-by-side use where Standard adapters would bump into each other

Adapter Dimensions



PA32-32-DP



PA32-32-R-DP-PP

Adapter Construction

The adapter is made up of 2 sub-assemblies. They assemble via connectors making the adapter modular. This way the sub-assemblies can be easily replaced.

The following chart lists the adapters described by this datasheet and their subassemblies.

Adapter	Test Socket	Board
PA32-32-DP	32-ADZ *	PA32-32DP
PA32-32-DP-PP	none *	PA32-32DP
PA32-32-R-DP	32-ADZ *	PA32-32DP-R
PA32-32-R-DP-PP	none *	PA32-32DP-R

* The top board always has a 32 pin DIP production socket. The optional test socket plugs into the production socket.

Test Sockets

LSC #	Style	Mfgr/Pn
32ADZ	DIP ZIF	Aries 32-6554-11

When disassembling the adapter take care not to bend the pins. When reassembling the adapter note the pin 1 indicators to align the parts correctly.

Test Points

are available using the DIP socket pins (.020 dia. x .130 high).

PLCC Plug Lengths

The PLCC plugs are available with several different pin lengths. Consult the factory about availability, part numbers and pricing.

Adapter Wiring

This adapter is wired 1 to 1 by pin number. The following chart shows the connections from the DIP device to the adapter's PLCC plug.

DIP Socket	PLCC Plug
1	1
2	2
3	3
4	4
5	5
6	6
7	7
8	8
9	9
10	10
11	11
12	12
13	13
14	14
15	15
16	16

PLCC Plug	DIP Socket
32	32
31	31
30	30
29	29
28	28
27	27
26	26
25	25
24	24
23	23
22	22
21	21
20	20
19	19
18	18
17	17



Adapters-Plus Inc.

P.O. BOX 900
Tracy, Ca 95378
ph.209-839-0200
fax.209-839-0235
email: sales@adapt-plus.com

PA32-32(-R)-DP(-PP) Data Sheet
Doc: 3232DP-R.DOC

Rev 02/10/00

Page 1 of 1