

# PA28-32-DP(-PP) Data Sheet

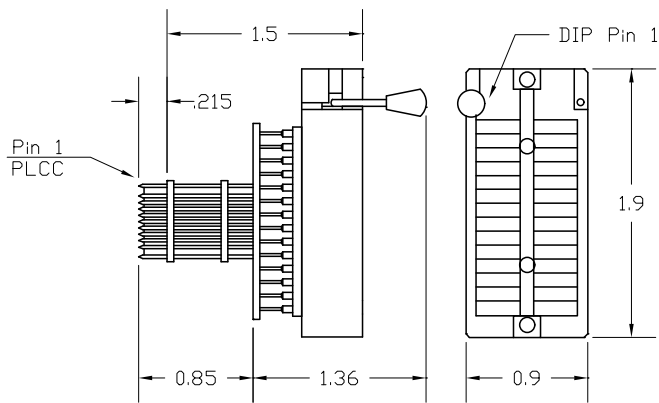
28 pin DIP socket/32 pin PLCC plug

## Supported Device/Footprints

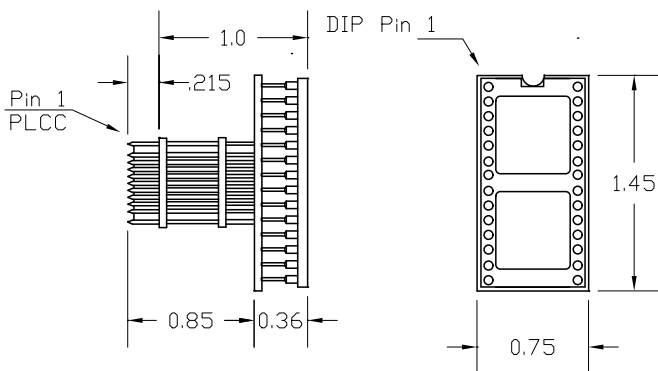
The PA28-32-DP adapter accepts 28 pin DIP devices and plugs into 32 pin PLCC production sockets. This allows DIP devices, or emulators with DIP plugs, to be used during development of PLCC based products.

Mfgr	Socket Device	Socket Package	Device	Plug Package
Many	27x64	28 pin DIP	27x64	32 pin PLCC
	27x128		27x128	
	27x256		27x256	
	27x512		27x512	

## Adapter Dimensions



PA28-32-DP



PA28-32-DP-PP

## Adapter Construction

The adapter is made up of 2 sub-assemblies. They assemble via connectors making the adapter modular. This way the sub-assemblies can be replaced when they wear out.

When disassembling the adapter take care not to bend the pins. When reassembling the adapter note the pin 1 indicators to align the parts correctly.

### Test Socket

Aries Part #: 28-6554-11 LSC Part #: 2803ADZ  
(The PA28-32-DP-PP has a production socket only.)

### PA28-32DP

Accepts the test socket and maps the signals to the PLCC plug.

### Test Points

are available using the DIP socket pins (.020 dia. x .130 high).

## Adapter Wiring

PLCC pins 1, 12, 17 & 26 are skipped. The following chart shows the connections from the DIP device to the adapter's PLCC plug.

DEVICE	PLUG
NC	1
1	2
2	3
3	4
4	5
5	6
6	7
7	8
8	9
9	10
10	11
NC	12
11	13
12	14
13	15
14	16
NC	17
15	18
16	19
17	20
18	21
19	22
20	23
21	24
22	25
NC	26
23	27
24	28
25	29
26	30
27	31
28	32



**Adapters-Plus Inc.**

P.O. BOX 900  
Tracy, Ca 95378  
ph.209-839-0200  
fax.209-839-0235  
email: sales@adapt-plus.com

www.adapt-plus.com