

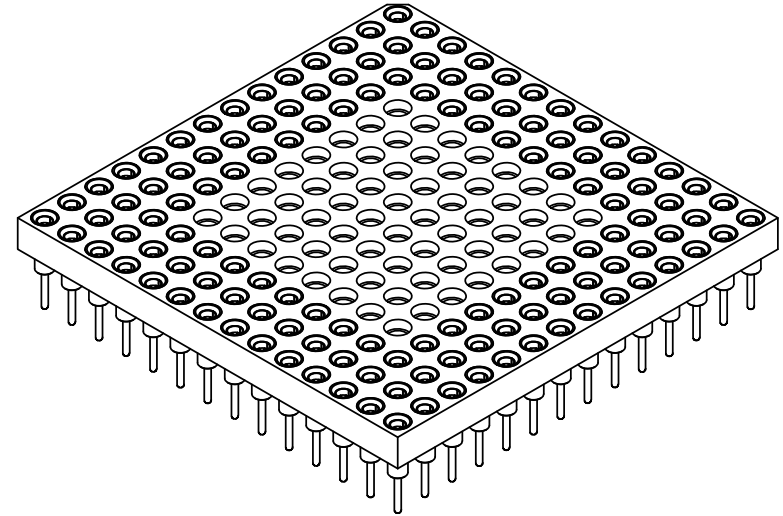
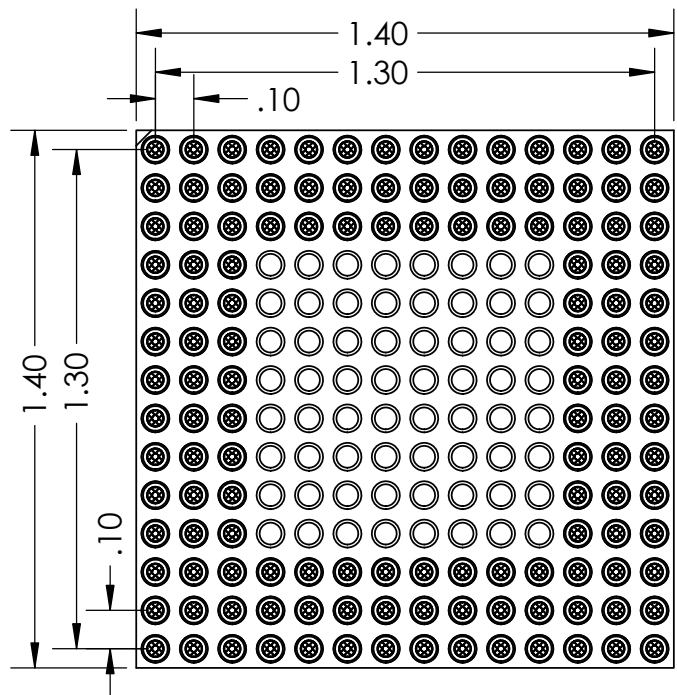
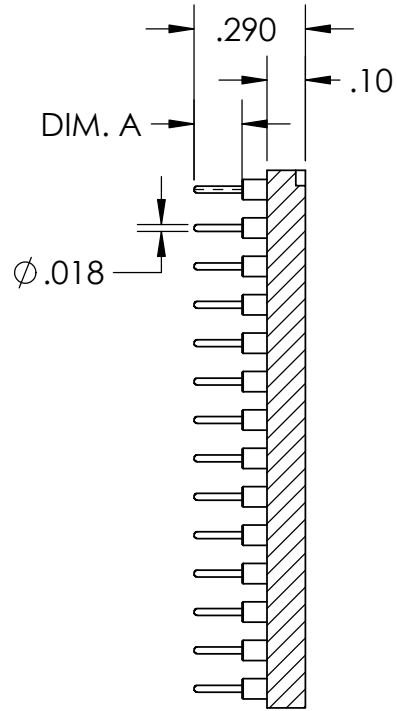
2

1

PART NUMBER	DIM. A
PS132B-0131GG-P	.125"
PS132B-0132GG-P	.180"
PS132B-0132GG-P	.215"

REVISIONS		
REV.	DESCRIPTION	DATE
A	INITIAL RELEASE	9/18/2020

B




B

A

- NOTE:
- INSULATOR MATERIAL: GLASS FILLED POLYESTER
 - FLAMABILITY RATING: UL94V-0
 - OPERATING TEMP: -55C TO +125C
 - ACCEPTS -.015-.021 DIAMETER PIN
 - SHELL MATERIAL: BRASS ALLOY C36000, 1/2 HARD
 - SHELL PLATING 10µ MIN. OVER NICKEL, 100µ MIN
 - CONTACT MATERIAL: BeCu
 - CONTACT PLATING: 10µ MIN. OVER NICKEL, 100µ MIN

PROPRIETARY AND CONFIDENTIAL
 THE INFORMATION CONTAINED IN THIS DRAWING IS THE SOLE PROPERTY OF ADAPTERS-PLUS INC. ANY REPRODUCTION IN PART OR AS A WHOLE WITHOUT THE WRITTEN PERMISSION OF ADAPTERS-PLUS IS PROHIBITED.

UNLESS OTHERWISE SPECIFIED:	NAME	DATE
DIMENSIONS ARE IN INCHES	AM	09/18/20
TOLERANCES:	SB	09/18/20
FRACTIONAL ± .1	ENG APPR.	
ANGULAR: MACH ± .1	MFG APPR.	
TWO PLACE DECIMAL ± .01	Q.A.	
THREE PLACE DECIMAL ± .005	COMMENTS:	
INTERPRET GEOMETRIC TOLERANCING PER:		
MATERIAL		
FINISH		
DO NOT SCALE DRAWING		

 Adapters-Plus Inc. Ph: 209-839-0200 web: www.adapt-plus.com		
TITLE:		
132 PGA SOCKET 14X14 GRID		
SIZE	DWG. NO.	REV
A	PS132B-013XGG-P	A
SCALE: 2:1	WEIGHT:	SHEET 1 OF 1

A

2

1